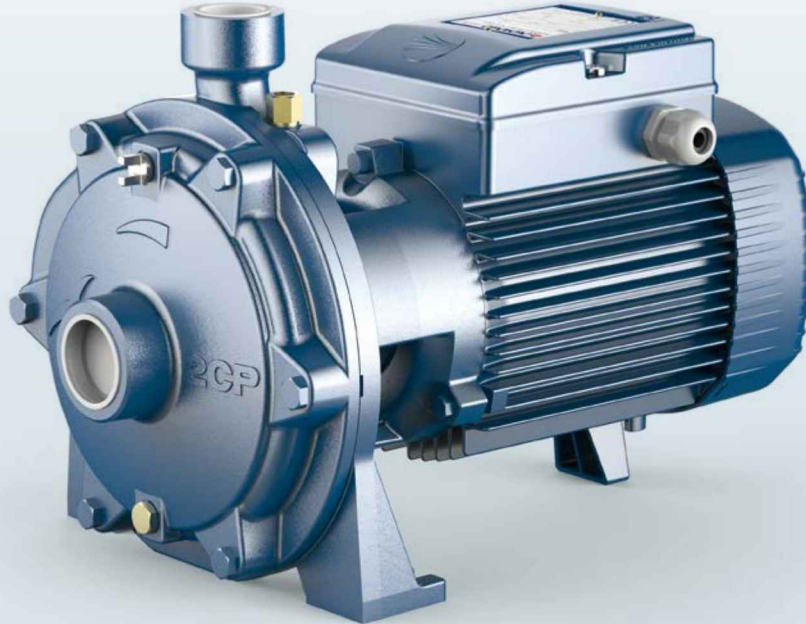


# 2CP

## Centrifugal twin-impeller pumps

-  Clean water
-  Domestic use
-  Civil use
-  Industrial use



### PERFORMANCE RANGE

- Flow rate up to **450 l/min** (27 m<sup>3</sup>/h)
- Head up to **112 m**

### APPLICATION LIMITS

- Manometric suction lift up to **7 m**
- Liquid temperature between **-10 °C** and **+90 °C**
- Ambient temperature between **-10 °C** and **+40 °C**
- Max. working pressure **10 bar**  
(**6 bar** for 2CP25/130)
- Continuous service **S1**

### CONSTRUCTION AND SAFETY STANDARDS

EN 60335-1  
IEC 60335-1  
CEI 61-150

EN 60034-1  
IEC 60034-1  
CEI 2-3



### INSTALLATION AND USE

Suitable for use with clean water and with liquids that are not chemically aggressive towards the materials from which the pump is made. The high performance and adaptability to a wide range of applications make them the ideal choice in domestic, civil and industrial applications, in particular for the distribution of water in combination with pressure tanks for boosting pressure in the network and for firefighting sets. Installation needs to be undertaken in well ventilated closed areas or anyway protected from bad weather.

### OPTIONS AVAILABLE ON REQUEST

- Special mechanical seal
- Other voltages or 60 Hz frequency
- IPX5 class protection for:
  - 2CP32/200                      – 2CP40/180
  - 2CP32/210                      – 2CP40/200

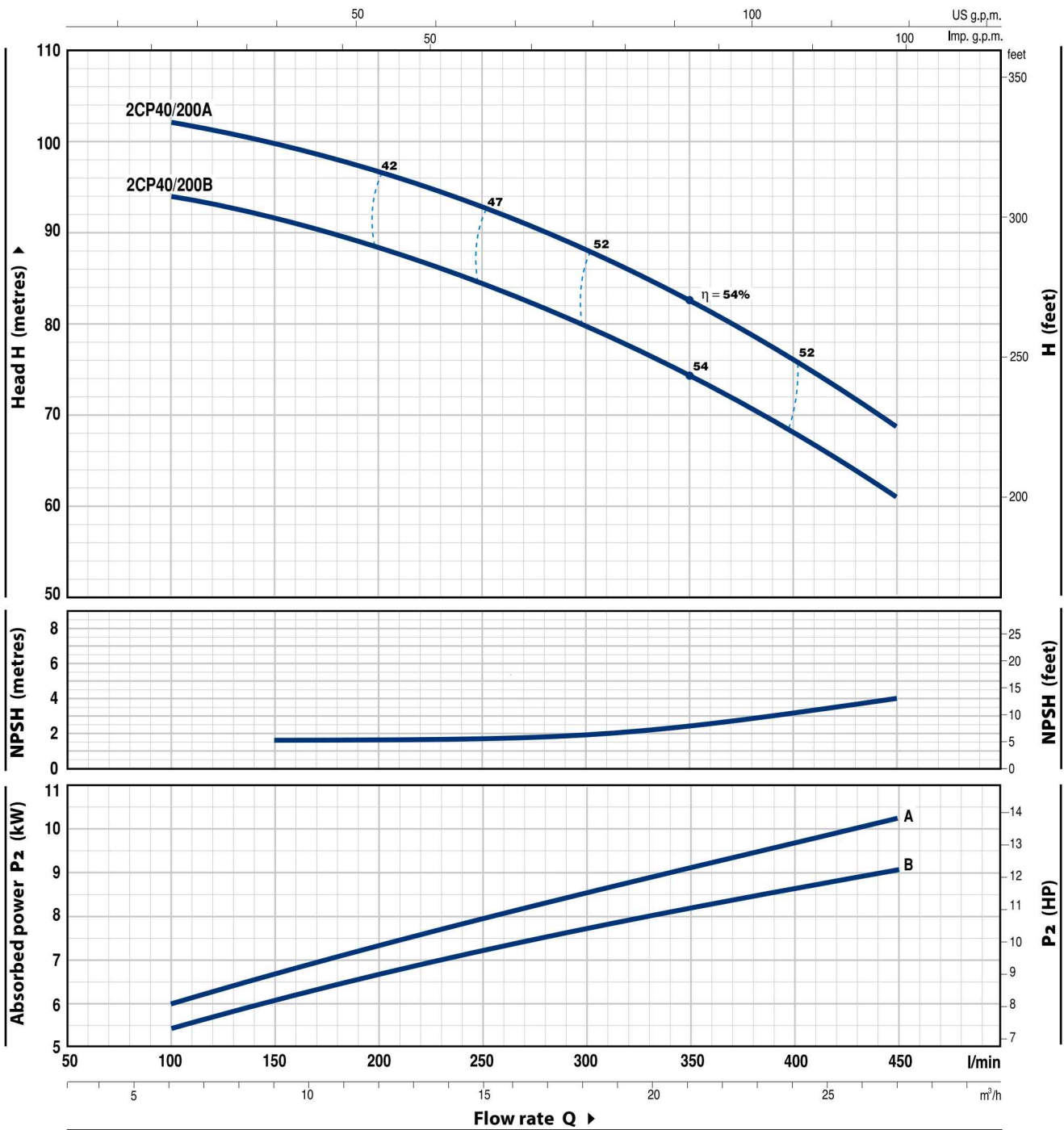
### CERTIFICATIONS

Company with management system certified DNV  
ISO 9001: QUALITY



### CHARACTERISTIC CURVES AND PERFORMANCE DATA

50 Hz n= 2900 min<sup>-1</sup> HS= 0 m



MODEL	POWER (P <sub>2</sub> )		▲	Q	Flow rate												
	kW	HP			0	6.0	9	10.8	12.0	15.0	18.0	21.0	24.0	27.0			
Three-phase				l/min	0	100	150	180	200	250	300	350	400	450			
2CP 40/200B	9.2	12.5	IE3	H metres	97	94	92	90	88	85	80	74	68	61			
2CP 40/200A	11	15		105	102	100	98	97	93	88	83	76	69				

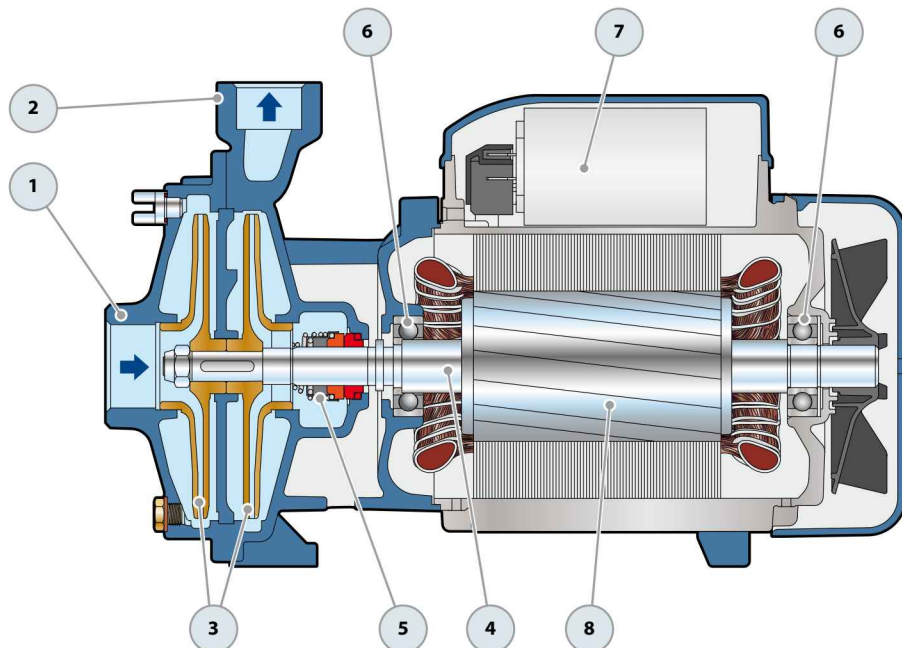
Q = Flow rate H = Total manometric head HS = Suction height

Tolerance of characteristic curves in compliance with EN ISO 9906 Grade 3B.

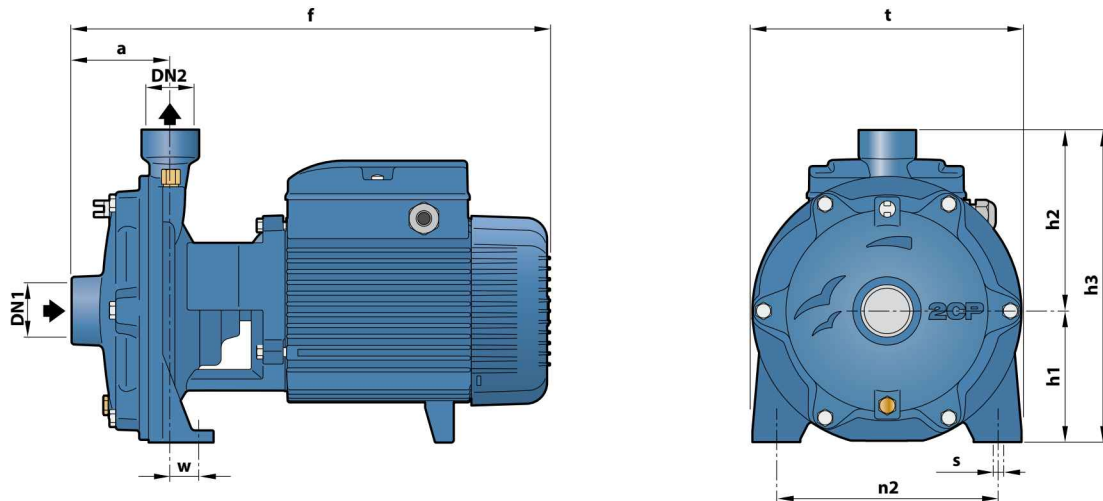
▲ Three-phase motor efficiency class (IEC 60034-30-1)

## POS. COMPONENT CONSTRUCTION CHARACTERISTICS

<b>1 SUCTION BODY</b>	Cast iron complete with threaded suction port in compliance with ISO 228/1					
<b>2 DELIVERY BODY</b>	Cast iron complete with threaded suction port in compliance with ISO 228/1					
<b>3 IMPELLERS</b>	Brass					
<b>4 MOTOR SHAFT</b>	Stainless steel AISI 431					
<b>5 MECHANICAL SEAL</b>	<b>Pump</b>	<b>Seal</b>	<b>Shaft</b>	<b>Materials</b>		
	<i>Model</i>	<i>Model</i>	<i>Diameter</i>	<i>Stationary ring</i>	<i>Rotational ring</i>	<i>Elastomer</i>
	2CP 25/14	FN-18	Ø 18 mm	Graphite	Ceramic	NBR
	2CP 25/16					
	2CP 32/200	FN-20	Ø 20 mm	Graphite	Ceramic	NBR
	2CP 32/210					
	2CP 40/180	FN-24	Ø 24 mm	Graphite	Ceramic	NBR
2CP 40/200						
2CP 40/200	FN-32 NU	Ø 32 mm	Graphite	Ceramic	NBR	
<b>6 BEARINGS</b>	<b>Pump</b>	<b>Model</b>				
	2CP 25/14	6204 ZZ - C3 / 6204 ZZ - C3				
	2CP 25/16					
	2CP 32/200	6206 ZZ - C3 / 6206 ZZ - C3				
	2CP 32/210					
	2CP 40/180	6306 ZZ - C3 / 6206 ZZ - C3				
	2CP 40/200					
<b>7 CAPACITOR</b>	<b>Pump</b>	<b>Capacitance</b>				
	<i>Single-phase</i>	<i>(230 V or 240 V)</i>	<i>(110 V)</i>			
	2CPm 25/14B	25 µF - 450 VL	60 µF - 250 VL			
	2CPm 25/16C					
	2CPm 25/14A	45 µF - 450 VL	80 µF - 250 VL			
	2CPm 25/16B					
2CPm 25/16A	50 µF - 450 VL	-				
<b>8 ELECTRIC MOTOR</b>	<b>2CPm:</b> single-phase 230 V - 50 Hz with thermal overload protector incorporated into the winding.					
	<b>2CP:</b> three-phase 230/400 V - 50 Hz up to 4 kW 400/690 V - 50 Hz from 5.5 to 11 kW					
<p>➔ <b>The three-phase pumps are fitted with high performance motors in class IE3 (IEC 60034-30-1)</b></p> <ul style="list-style-type: none"> <li>- Insulation: class F</li> <li>- Protection: IP X4</li> </ul>						



## DIMENSIONS AND WEIGHT



MODEL		PORTS		DIMENSIONS mm									kg	
Single-phase	Three-phase	DN1	DN2	a	f	h1	h2	h3	t	n2	w	s	1~	3~
2CPm 25/14B	2CP 25/14B	1 1/4"	1"	82	404	93	130	223	200	162	17	10	19.7	20.6
2CPm 25/14A	2CP 25/14A					110	151	261	225	185	26	11	24.6	24.6
2CPm 25/16C	2CP 25/16C					93	130	223	200	162	17	10	19.3	20.4
2CPm 25/16B	2CP 25/16B					110	151	261	226	185	26	11	24.3	24.4
2CPm 25/16A	2CP 25/16A					424	27.1	27.2						
-	2CP 32/200C	1 1/2"	1 1/4"	95	464	132	172	304	266	206	19	14	-	39.4
-	2CP 32/200B												-	43.1
-	2CP 32/210B												-	54.7
-	2CP 32/210A	2"	1 1/2"	108	541	139	195	334	292	232	21	14	-	60.5
-	2CP 40/180C												-	48.6
-	2CP 40/180B												-	54.2
-	2CP 40/180A												-	59.7
-	2CP 40/200B	-	-	93.5										
-	2CP 40/200A	110	566	160	195	355	298	-	-	93.2				

## ABSORPTION

MODEL	VOLTAGE		
Single-phase	230 V	240 V	110 V
2CPm 25/14B	7.7 A	7.4 A	15.4 A
2CPm 25/14A	10.5 A	10.0 A	21.0 A
2CPm 25/16C	7.7 A	7.4 A	15.4 A
2CPm 25/16B	10.0 A	9.6 A	-
2CPm 25/16A	13.8 A	13.2 A	-

MODEL	VOLTAGE					
Three-phase	230 V	400 V	690 V	240 V	415 V	720 V
2CP 25/14B	5.4 A	3.1 A	1.8 A	5.2 A	3.0 A	1.7 A
2CP 25/14A	6.9 A	4.0 A	2.3 A	6.7 A	3.9 A	2.2 A
2CP 25/16C	5.4 A	3.1 A	1.8 A	5.2 A	3.0 A	1.7 A
2CP 25/16B	6.9 A	4.0 A	2.3 A	6.6 A	3.8 A	2.2 A
2CP 25/16A	9.2 A	5.3 A	3.1 A	8.7 A	5.0 A	2.9 A
2CP 32/200C	12.8 A	7.4 A	4.3 A	12.3 A	7.1 A	4.1 A
2CP 32/200B	18.2 A	10.5 A	6.1 A	17.7 A	10.2 A	5.7 A
2CP 32/210B	21.7 A	12.5 A	7.2 A	19.9 A	11.5 A	6.9 A
2CP 32/210A	27.7 A	16.0 A	9.2 A	26.0 A	15.0 A	8.9 A
2CP 40/180C	17.0 A	9.8 A	5.7 A	16.5 A	9.5 A	5.6 A
2CP 40/180B	21.3 A	12.3 A	7.1 A	20.8 A	12.0 A	6.9 A
2CP 40/180A	26.7 A	15.4 A	8.9 A	26.0 A	15.0 A	8.7 A
2CP 40/200B	30.3 A	17.5 A	10.1 A	29.1 A	16.8 A	9.7 A
2CP 40/200A	34.6 A	20.0 A	11.6 A	33.2 A	19.2 A	11.1 A

## PALLETIZATION

MODEL		GROUPAGE	CONTAINER
Single-phase	Three-phase	n. pumps	n. pumps
2CPm 25/14B	2CP 25/14B	50	70
2CPm 25/14A	2CP 25/14A	50	70
2CPm 25/16C	2CP 25/16C	50	70
2CPm 25/16B	2CP 25/16B	50	70
2CPm 25/16A	2CP 25/16A	35	49
-	2CP 32/200C	18	24
-	2CP 32/200B	18	24
-	2CP 32/210B	12	16
-	2CP 32/210A	12	16
-	2CP 40/180C	12	16
-	2CP 40/180B	12	16
-	2CP 40/180A	12	16
-	2CP 40/200B	6	9
-	2CP 40/200A	6	9